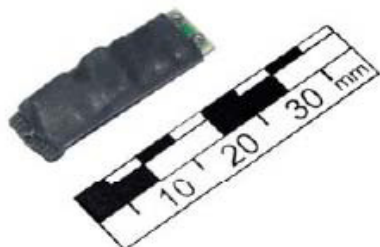


Multi Channel Room Monitoring System with Audio Transfer Via One Pair Line (4015)



Microphone



Switchboard

The product is rated for room audio monitoring with the use of one pair line and microphone select function.

Principle of operation of the system is based on transfer of analog audio via a two-wire dedicated line. Each of wire microphones has its digital ON/OFF code. As soon as the selected microphone is switched ON all the rest ones are switched OFF automatically and staying in standby mode. Overall extent of the wire link can reach over 200 meters.

Features:

- One pair line for all channels;
- 10 or 32 channels;
- No shielding of the wire line is required;
- No observation of microphone polarity is required;
- Over 200 meters line extent;
- Microprocessor control;
- Microphone dimensions (diameter 9 x 25 mm);
- Individual On/Off code for each microphone;
- Line failure indication;
- «Microphone - Switchboard» Feedback function;
- Telephone line-monitoring function (order);
- Switchboard equipped with LCD;
- Recording channel.

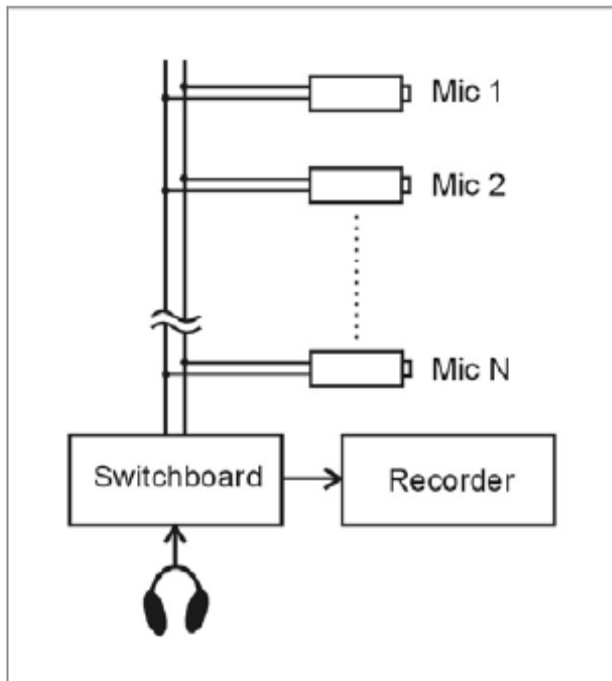
Complete set:

1. Microphones.
2. Switchboard.

Goldman Trades Surveillance and Security Equipments
57 Charing Cross Road
London
WC2H 0NE
United Kingdom

Registration No: 05871589
VAT: 911405858
Tel: +44-2072873621
Fax: +44-2072873621
admin@goldmantrades.com
<http://www.goldmantrades.com>

Microphones are connected to a double-wire line. The line is connected to the "LINE" input /"tulip" plug / of the switchboard. The switchboard is powered from mains 220 V. Headphones are plugged to EAR receptacle on the front panel of the switchboard. For the tape recorder connection a special cable is used (optional).



SPECIFICATIONS:

Switchboard power supply	220 V, 50 Hz
One microphone current consumption	11 mA
Output voltage ("REC" output)	100 mV
Acoustic signal output power("EAR" output)	300 mW
Channels	up to 32
Line length	up to 200 m
Voltage in telephone line	12 V
Activation time	0.5 sec.
Switchboard Dimensions	225 x 200 x 75 mm
Microphone Dimensions	Diameter 9 x 25 mm

Goldman Trades Surveillance and Security Equipments
57 Charing Cross Road
London
WC2H 0NE
United Kingdom

Registration No: 05871589
VAT: 911405858
Tel: +44-2072873621
Fax: +44-2072873621
admin@goldmantrades.com
http://www.goldmantrades.com